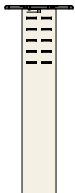
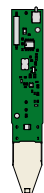





# RF3402

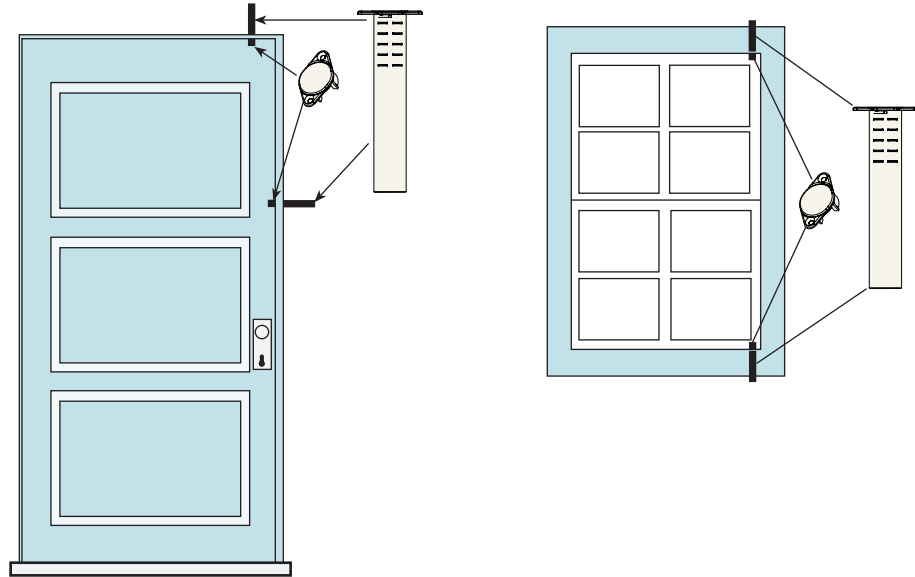


## Recessed Wireless Window or Door Magnetic Contact Installation Instructions

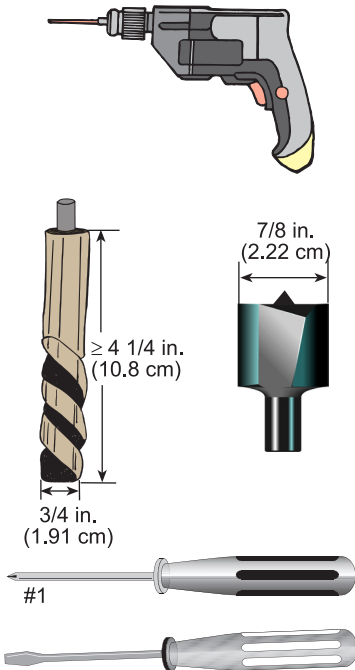
### Parts List

-  1 - 4998132097 Transmitter housing
-  1 - 4998152396 Transmitter
-  1 - F01U003772 Magnet Assembly
-  1 - F01U034785 3 V, CR2 Lithium
-  4 - 4998150399

### Mounting Locations



### Tools Needed



### Compliance

#### UL

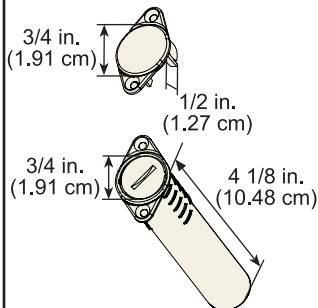
#### FCC Notice

This device complies with Part 15 of the FCC Rules. Operation is subject to the following conditions:

1. This device may not cause harmful interference, and
2. This device must accept any interference received, including interference that may cause undesirable operation.

Changes or modifications not expressly approved by Bosch Security Systems can void the user's authority to operate the equipment.

### Specifications



-20 °C to +65°C (-4°F to +149°F)  
For UL Listed installations, the temperature range is 0°C to +40°C (+32°F to +104°F)

- Battery Life: 5 years
- Frequency: 304.00 MHz
- Compatible Receiver: RF3224
- Humidity: 95° non-condensing

The RF3402 is classified under UL634 as a Level 1 - High Security Switch.



[www.boschsecuritysystems.com](http://www.boschsecuritysystems.com)

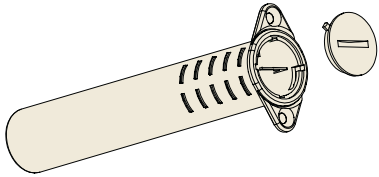
© 2008 Bosch Security Systems, Inc.  
F01U000844-03

# Installation

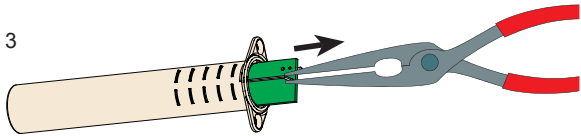
1



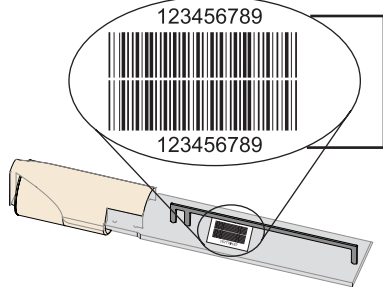
2



3

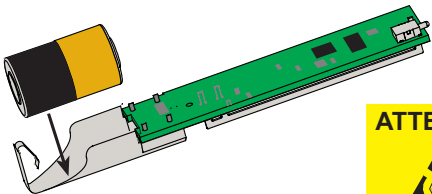


## 4 Control Panel Programming



Use the number on your RF3402 to program the point transmitter into the control panel.

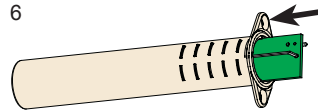
## 5 Battery Installation



**Recommended batteries:**  
Duracell DLCR2  
Eveready EL1CR2  
Sanyo CR2



6

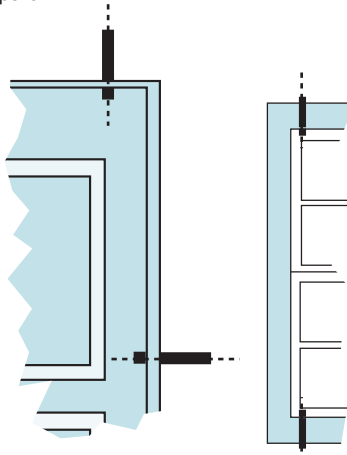


7



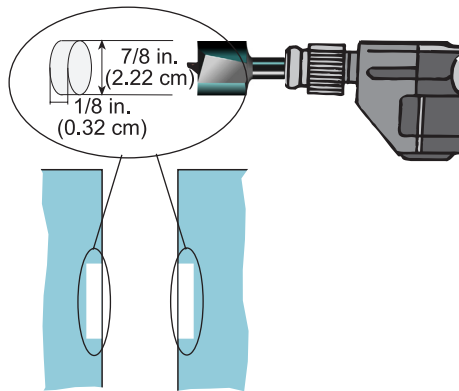
2

**Note:** Install the magnet assembly on the the moving part of the door or window and the transmitter housing on the fixed part.



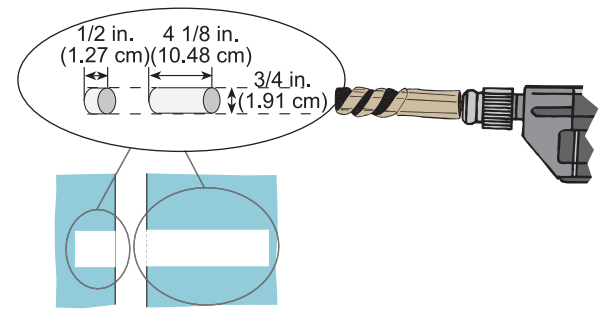
3

Flush Mount Only - Countersink



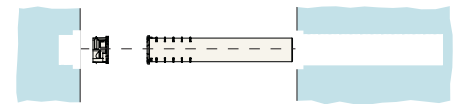
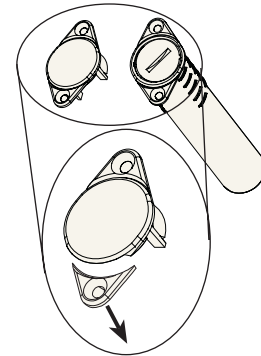
4

Surface and Flush Mount



5

Flush Mount



Surface Mount

